

BLUE STAR

Power Systems

Diesel Product Line

208-600 Volt

JD60-04FT4

60 Hz / 1800 RPM

60 kWe / 60 kWe

Standby / Prime

Ratings

	240V	208V	240V	480V	600V
Phase	1	3	3	3	3
PF	1	0.8	0.8	0.8	0.8
Hz	60	60	60	60	60
Generator Model	UCI274D	UCI224F	UCI224F	UCI224F	UCI224F
Connection	12 LEAD DD	12 LEAD WYE	12 LEAD DELTA	12 LEAD WYE	4 LEAD WYE
Standby kWe	60	60	60	60	60
AMPS	250	208	181	90	72
Temp Rise	105°C / 40°C	105°C / 40°C	105°C / 40°C	105°C / 40°C	105°C / 40°C
Prime kWe	60	60	60	60	60
AMPS	250	208	181	90	72
Temp Rise	105°C / 40°C	105°C / 40°C	105°C / 40°C	105°C / 40°C	105°C / 40°C

Standard Equipment

Engine

- Radiator Cooled Unit Mounted (50°C)
- Radiator Duct Flange (OPU Only)
- Blower Fan & Fan Drive
- Starter & Alternator
- Oil Pump & Filter
- Oil Drain Extension w/Valve
- Governor - Electronic Isochronous
- 12V Battery System & Cables
- Air Cleaner (Dry Single Stage)
- SCR / DOC Catalysts / Silencer Mounted
- Flexible Fuel Connector
- EPA Certified Tier 4 Final

Generator

- Brushless Single Bearing
- Automatic Voltage Regulator
- ± 1% Voltage Regulation
- 4 Pole, Rotating Field
- 105°C Standby Temperature Rise
- 105°C Prime Temperature Rise
- 100% of Rated Load - One Step
- 5% Maximum Harmonic Content
- NEMA MG 1, IEEE and ANSI Standards Compliance for Temperature Rise

Additional

- Single Source Supplier
- UL 2200 & cUL Listed
- CSA Certified
- Seismic Certified to IBC 2021
- NFPA 110 / CSA C282 Compliant
- Microprocessor Based Digital Control Panel Mounted in NEMA 12 Enclosure
- Base - Formed Steel
- Main Line Circuit Breaker Mounted & Wired
- Battery Charger 12V 6 Amp
- Jacket Water Heater -20°F 1500W 120V w/Isolation Valves
- Vibration Isolation Mounts
- 2 Year / 2000 Hour Standby Warranty
- 1 Year / 1500 Hour Prime Warranty
- Standard Colors - White / Gray

Application Data

Engine

Manufacturer:	John Deere	Displacement - Cu. In. (lit):	275 (4.51)
Model:	4045HFG04	Bore - in. (cm) x Stroke - in. (cm):	4.20 (10.6) x 5.00 (12.7)
Type:	4-Cycle	Compression Ratio:	17.0:1
Aspiration:	Turbo Charged, CAC	Rated RPM:	1800
Cylinder Arrangement:	4 Cylinder Inline	Max HP Stby (kWm):	133 (99.2)

Exhaust System

	Standby	Prime
Gas Temp. (Stack): °F (°C)	910 (488)	910 (488)
Gas Volume at Stack Temp: CFM (m³/min)	533 (15.1)	533 (15.1)
Maximum Allowable Exhaust Restriction (Post Catalyst): in. H ₂ O (kPa)	20.0 (5.00)	20.0 (5.00)

Cooling System

Ambient Capacity of Radiator: °F (°C)	122 (50.0)	122 (50.0)
Maximum Allowable Static Pressure on Rad. Exhaust: in. H ₂ O (kPa)	0.50 (0.12)	0.50 (0.12)
Water Pump Flow Rate: GPM (lit/min)	65.0 (245)	65.0 (245)
Heat Rejection to Coolant: BTUM (kW)	3,529 (61.8)	3,529 (61.8)
Heat Rejection to CAC: BTUM (kW)	740 (13.0)	740 (13.0)
Heat Radiated to Ambient: BTUM (kW)	1,339 (23.4)	1,339 (23.4)

Air Requirements

Aspirating: CFM (m³/min)	226 (6.40)	226 (6.40)
Air Flow Required for Rad. Cooled Unit: CFM (m³/min)	9,717 (275)	9,717 (275)
Air Flow Required for Heat Exchanger/Rem. Rad. CFM (m³/min)	Consult Factory For Remote Cooled Applications	

Fuel Consumption

At 100% of Power Rating: gal/hr (lit/hr)	4.82 (18.2)	4.82 (18.2)
At 75% of Power Rating: gal/hr (lit/hr)	3.92 (14.8)	3.92 (14.8)
At 50% of Power Rating: gal/hr (lit/hr)	2.80 (10.6)	2.80 (10.6)
DEF Consumption (% of fuel consumption)	± 4.30%	± 4.30%

Fluids Capacity

Total Oil System: gal (lit)	3.88 (14.7)	3.88 (14.7)
Engine Jacket Water Capacity: gal (lit)	2.25 (8.50)	2.25 (8.50)
System Coolant Capacity: gal (lit)	6.75 (25.6)	6.75 (25.6)
DEF Tank Capacity: gal (lit)	3.80 (14.3)	3.80 (14.3)

Deration Factors: Rated Power is available up to 8,400 ft (2,560 m) at ambient temperatures to 122°F (50°C). Consult factory for site conditions above these parameters.

DCP7310 Control Panel

Standard Features

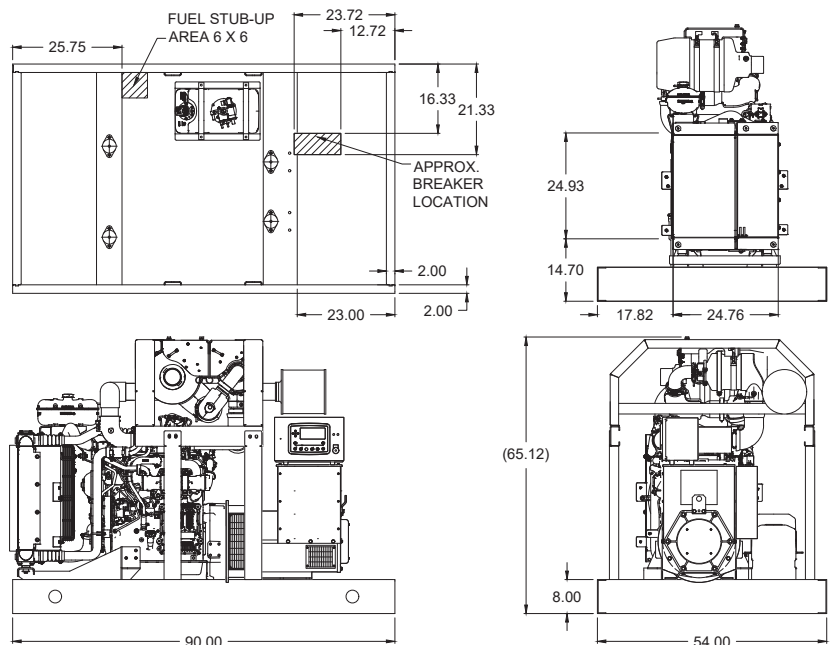
- Digital Metering
- Engine Parameters
- Generator Protection Functions
- Engine Protection
- CAN Bus (J1939) ECU Communications
- Windows-Based Software
- Multilingual Capability
- Remote Communications to DSE2548 Remote Annunciator
- 8 Programmable Contact Inputs
- 10 Contact Outputs
- RS485 Communicator Interface
- cULus Listed, CE Approved
- Event Recording
- IP 65 rating (with supplied gasket) offers increased resistance to water ingress
- NFPA 110 Level 1 Compatible



Weights / Dimensions / Sound Data

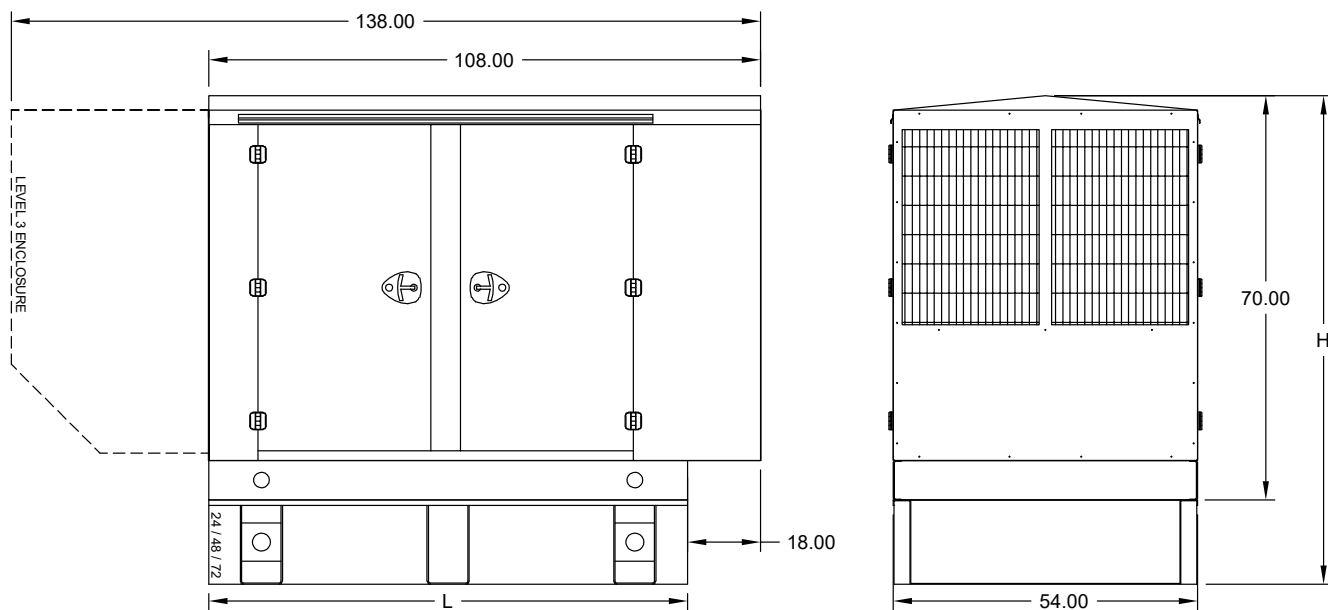
	L x W x H	Weight lbs
OPU	90 x 54 x 66 in	3,650
Level 1	108 x 54 x 70 in	4,250
Level 2	108 x 54 x 70 in	4,325
Level 3	138 x 54 x 70 in	4,525

Please allow 6-12 inches for height of exhaust stack.



	No Load	Full Load
OPU	73 dBA	77 dBA
Level 1	71 dBA	73 dBA
Level 2	68 dBA	70 dBA
Level 3	63 dBA	65 dBA

Enclosures



- All enclosure models are 200 MPH wind rating certified in accordance with IBC2021 and ASCE/SEI 7-16 standards.
- Level 2 & 3 enclosures include sound attenuation foam
- Level 3 enclosure includes frontal sound & exhaust hood.
- Enclosure height does not include exhaust stack.

	24 Hour 150 Gallon	48 Hour 300 Gallon	72 Hour 450 Gallon
L	90.00	90.00	90.00
H	84.00	96.00	106.00

Notes

- All specification sheet dimensions are represented in inches.
- All drawings based on standard 480 volt standby generator. Lengths may vary with other voltages. All drawings and dimensions subject to change without notice.
- All enclosures and fuel tanks are based on the standard unit configuration. Any requested deviation can change dimensions.
- Sound data is measured at 23 feet (7 meters) in accordance with ISO 8528-10.
- All materials and specifications subject to change without notice.

Blue Star Power Systems

2250 Carlson Drive
North Mankato, Minnesota 56003
Phone + 1 507 345 1776
bluestarps.com
quote.bluestarps.com
sales@bluestarps.com

/ A DEUTZ COMPANY /