

BLUE STAR

Power Systems

Diesel Product Line

208-600 Volt

PD400-01

60 Hz / 1800 RPM

400 kWe

Standby

Ratings

	208V	240V	480V	600V
Phase	3	3	3	3
PF	0.8	0.8	0.8	0.8
Hz	60	60	60	60
Generator Model	S4L1D-G41	S4L1D-G41	S4L1D-F41	S4L1S-F4
Connection	12 LEAD WYE	12 LEAD DELTA	12 LEAD WYE	4 LEAD WYE
kWe	400	400	400	400
AMPS	1390	1204	602	482
Temp Rise	125°C / 40°C	125°C / 40°C	125°C / 40°C	125°C / 40°C

Standard Equipment

Engine

- Radiator Cooled Unit Mounted (50°C)
- Radiator Duct Flange (OPU Only)
- Blower Fan & Fan Drive
- Starter & Alternator
- Oil Pump & Filter
- Oil Drain Extension w/Valve
- Governor - Electronic Isochronous
- 24V Battery System & Cables
- Air Cleaner (Dry Single Stage)
- Critical Grade Silencer Mounted
- Flexible Fuel Connector
- EPA Certified Tier 3

Generator

- Brushless Single Bearing
- Automatic Voltage Regulator
- ± 0.50% Voltage Regulation
- 4 Pole, Rotating Field
- 125°C Standby Temperature Rise
- 100% of Rated Load - One Step
- 5% Maximum Harmonic Content
- NEMA MG 1, IEEE and ANSI Standards Compliance for Temperature Rise

Additional

- Single Source Supplier
- UL 2200 & cUL Listed
- CSA Certified
- Seismic Certified to IBC 2021
- NFPA 110 / CSA C282 Compliant
- Microprocessor Based Digital Control Panel Mounted in NEMA 12 Enclosure
- Base - Formed Steel
- Main Line Circuit Breaker Mounted & Wired
- Battery Charger 24V 5 Amp
- Jacket Water Heater -20°F 4000W 240V w/Isolation Valves
- Vibration Isolation Mounts
- 2 Year / 2000 Hour Standby Warranty
- Standard Colors - White / Gray

Application Data

Engine

Manufacturer:	Perkins	Displacement - Cu. In. (lit):	763 (12.5)
Model:	2206D-E13TAG3	Bore - in. (cm) x Stroke - in. (cm):	5.12 (13.0) x 6.18 (15.7)
Type:	4-Cycle	Compression Ratio:	16.3:1
Aspiration:	Turbo Charged, CAC	Rated RPM:	1800
Cylinder Arrangement:	6 Cylinder Inline	Max HP Stby (kWm):	619 (462)

Exhaust System

Standby

Gas Temp. (Stack): °F (°C)	1,256 (680)
Gas Volume at Stack Temp: CFM (m³/min)	3,046 (86.2)
Maximum Allowable Exhaust Restriction: in. H ₂ O (kPa)	40.0 (10.0)

Cooling System

Ambient Capacity of Radiator: °F (°C)	122 (50.0)
Maximum Allowable Static Pressure on Rad. Exhaust: in. H ₂ O (kPa)	0.50 (0.12)
Water Pump Flow Rate: GPM (lit/min)	106 (402)
Heat Rejection to Coolant: BTUM (kW)	8,903 (156)
Heat Rejection to CAC: BTUM (kW)	4,377 (76.6)
Heat Radiated to Ambient: BTUM (kW)	8,069 (141)

Air Requirements

Aspirating: CFM (m³/min)	1,053 (29.8)
Air Flow Required for Rad. Cooled Unit: CFM (m³/min)	27,845 (788)
Air Flow Required for Heat Exchanger/Rem. Rad. CFM (m³/min)	Consult Factory For Remote Cooled Applications

Fuel Consumption

At 100% of Power Rating: gal/hr (lit/hr)	26.8 (101)
At 75% of Power Rating: gal/hr (lit/hr)	21.5 (81.2)
At 50% of Power Rating: gal/hr (lit/hr)	15.7 (59.5)

Fluids Capacity

Total Oil System: gal (lit)	10.6 (40.0)
Engine Jacket Water Capacity: gal (lit)	7.48 (28.3)
System Coolant Capacity: gal (lit)	13.6 (51.4)

Deration Factors: Rated Power is available up to 3281ft (1000m) at ambient temperatures to 104°F (40°C).
Consult factory for site conditions above these parameters.

DCP7310 Control Panel

Standard Features

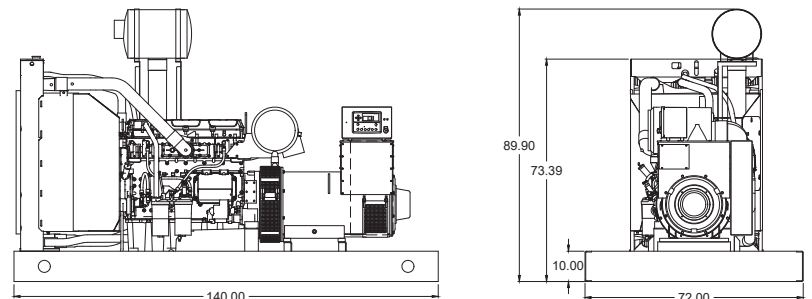
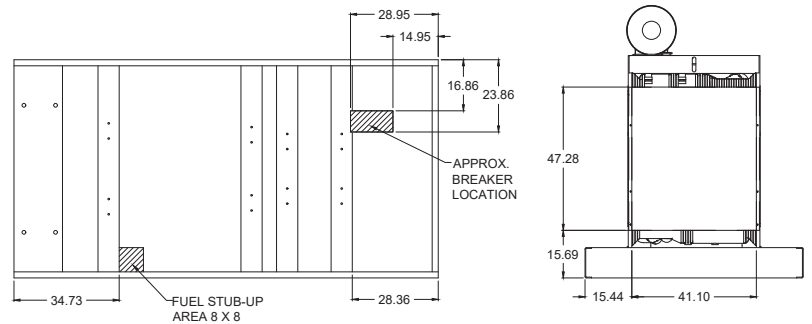
- Digital Metering
- Engine Parameters
- Generator Protection Functions
- Engine Protection
- CAN Bus (J1939) ECU Communications
- Windows-Based Software
- Multilingual Capability
- Remote Communications to DSE2548 Remote Annunciator
- 8 Programmable Contact Inputs
- 10 Contact Outputs
- RS485 Communicator Interface
- cULus Listed, CE Approved
- Event Recording
- IP 65 rating (with supplied gasket) offers increased resistance to water ingress
- NFPA 110 Level 1 Compatible



Weights / Dimensions / Sound Data

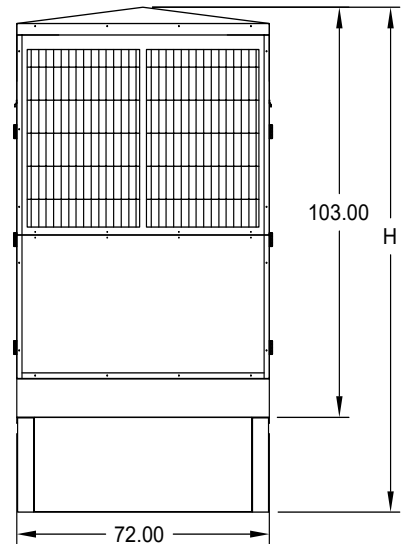
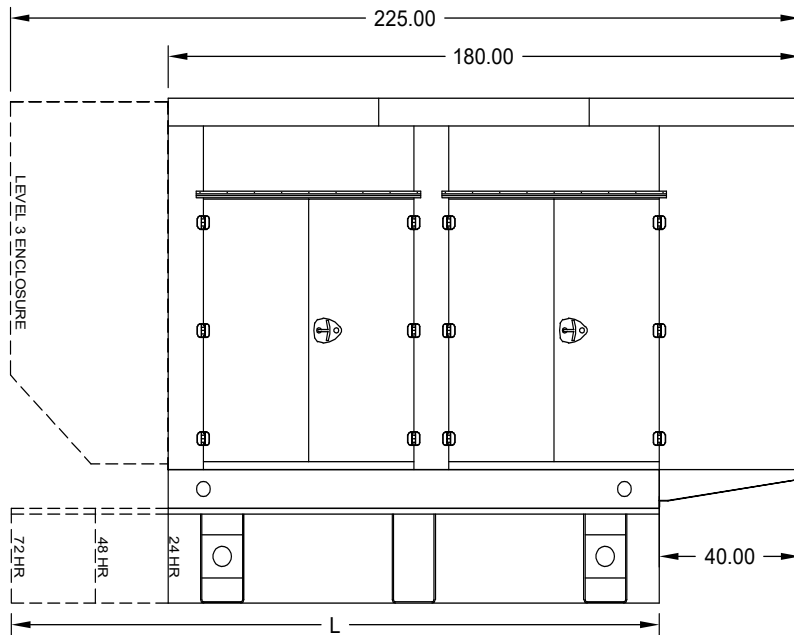
	L x W x H	Weight lbs
OPU	140 x 72 x 90 in	8,175
Level 1	180 x 72 x 103 in	9,825
Level 2	180 x 72 x 103 in	9,900
Level 3	225 x 72 x 103 in	10,325

Please allow 6-12 inches for height of exhaust stack.



	No Load	Full Load
OPU	88 dBA	91 dBA
Level 1	84 dBA	86 dBA
Level 2	79 dBA	81 dBA
Level 3	70 dBA	73 dBA

Enclosures & Fuel Tanks



- All enclosure models are 200 MPH wind rating certified in accordance with IBC2021 and ASCE/SEI 7-16 standards.
- Level 2 & 3 enclosures include sound attenuation foam
- Level 3 enclosure includes frontal sound & exhaust hood.
- Enclosure height does not include exhaust stack.

	24 Hour 710 Gallon	48 Hour 1420 Gallon	72 Hour 2130 Gallon
L	140.00	180.00	250.00
H	127.00	139.00	139.00

Notes

- All specification sheet dimensions are represented in inches.
- All drawings based on standard 480 volt standby generator. Lengths may vary with other voltages. All drawings and dimensions subject to change without notice.
- All enclosures and fuel tanks are based on the standard unit configuration. Any requested deviation can change dimensions.
- Sound data is measured at 23 feet (7 meters) in accordance with ISO 8528-10.
- All materials and specifications subject to change without notice.

Blue Star Power Systems

2250 Carlson Drive
North Mankato, Minnesota 56003
Phone + 1 507 345 1776
bluestarps.com
quote.bluestarps.com
sales@bluestarps.com

/ A DEUTZ COMPANY /