

# BLUE STAR Power Systems

Gaseous Product Line

208-600 Volt

NG150-01P

60 Hz / 1800 RPM

125 kWe

Prime

## Ratings

	240V	208V	240V	480V	600V
<b>Phase</b>	1	3	3	3	3
<b>PF</b>	1	0.8	0.8	0.8	0.8
<b>Hz</b>	60	60	60	60	60
<b>Generator Model</b>	UCDI274J1	UCI274G	UCI274G	UCI274F	UCI274F
<b>Connection</b>	12 LEAD DD	12 LEAD WYE	12 LEAD DELTA	12 LEAD WYE	4 LEAD WYE
<b>kWe Nat (LP)</b>	125 (95)	125 (95)	125 (95)	125 (95)	125 (95)
<b>AMPS Nat (LP)</b>	521 (396)	434 (330)	376 (286)	188 (143)	151 (114)
<b>Temp Rise</b>	125°C / 40°C	125°C / 40°C	125°C / 40°C	125°C / 40°C	125°C / 40°C

## Standard Equipment

### Engine

- Radiator Cooled Unit Mounted (50°C)
- Radiator Duct Flange (OPU Only)
- Blower Fan & Fan Drive
- Starter & Alternator
- Oil Pump & Filter
- Oil Drain Extension w/Valve
- Governor - Electronic Isochronous
- 24V Battery System & Cables
- Air Cleaner (Dry Single Stage)
- Catalyst / Silencer Mounted
- Flexible Fuel Connector
- EPA Certified

### Generator

- Brushless Single Bearing
- Automatic Voltage Regulator
- ± 1% Voltage Regulation
- 4 Pole, Rotating Field
- 105°C Prime Temperature Rise
- 100% of Rated Load - One Step
- 5% Maximum Harmonic Content
- NEMA MG 1, IEEE and ANSI Standards Compliance for Temperature Rise

### Additional

- Single Source Supplier
- UL 2200 & cUL Listed
- CSA Certified
- Seismic Certified to IBC 2021
- NFPA 110 / CSA C282 Compliant
- Microprocessor Based Digital Control Panel Mounted in NEMA 12 Enclosure
- Base - Formed Steel
- Main Line Circuit Breaker Mounted & Wired
- Battery Charger 24V 5 Amp
- Jacket Water Heater -20°F 2500W 240V w/Isolation Valves
- Vibration Isolation Mounts
- 1 Year / 1500 Hour Prime Warranty
- Standard Colors - White / Gray

## Application Data

### Engine

Manufacturer:	Power Solutions International	Displacement - Cu. In. (lit):	492 (8.10)
Model:	8.1LT	Bore - in. (cm) x Stroke - in. (cm):	4.37 (11.1) x 5.47 (13.9)
Type:	4-Cycle	Compression Ratio:	10.5 : 1
Aspiration:	Turbo Charged, CAC	Rated RPM:	1800
Cylinder Arrangement:	6 Cylinder Inline	Max HP Stby (kW <sub>m</sub> ):	236 (176)

### Exhaust System

	<b>Prime</b>
Gas Temp. (Stack): °F (°C)	1,382 (750)
Gas Volume at Stack Temp: CFM (m <sup>3</sup> /min)	1,129 (31.9)
Maximum Allowable Exhaust Restriction: in. H <sub>2</sub> O (kPa)	20.4 (5.08)

### Cooling System

Ambient Capacity of Radiator: °F (°C)	122 (50.0)
Maximum Allowable Static Pressure on Rad. Exhaust: in. H <sub>2</sub> O (kPa)	0.50 (0.12)
Water Pump Flow Rate: GPM (lit/min)	63.0 (238)
Heat Rejection to Coolant: BTUM (kW)	9,357 (163)
Heat Rejection to CAC: BTUM (kW)	760 (13.3)
Heat Radiated to Ambient: BTUM (kW)	2,533 (44.3)

### Air Requirements

Aspirating: CFM (m <sup>3</sup> /min)	355 (10.0)
Air Flow Required for Rad. Cooled Unit: CFM (m <sup>3</sup> /min)	12,500 (354)
Air Flow Required for Heat Exchanger/Rem. Rad. CFM (m <sup>3</sup> /min)	Consult Factory For Remote Cooled Applications

Fuel Consumption	<b>Prime</b>	
	<b>Natural Gas</b>	<b>LP</b>
At 100% of Power Rating: ft <sup>3</sup> /hr (m <sup>3</sup> /hr)	1,337 (37.8)	453 (12.8)
At 75% of Power Rating: ft <sup>3</sup> /hr (m <sup>3</sup> /hr)	1,017 (28.8)	348 (9.85)
At 50% of Power Rating: ft <sup>3</sup> /hr (m <sup>3</sup> /hr)	743 (21.0)	262 (7.42)
Fuel Inlet Size: NPT		1.50"
Fuel Pressure Required: in. H <sub>2</sub> O (kPa)		11.0 (2.75)

### Fluids Capacity

Total Oil System: gal (lit)	6.25 (23.7)
Engine Jacket Water Capacity: gal (lit)	5.00 (22.7)
System Coolant Capacity: gal (lit)	17.5 (66.2)

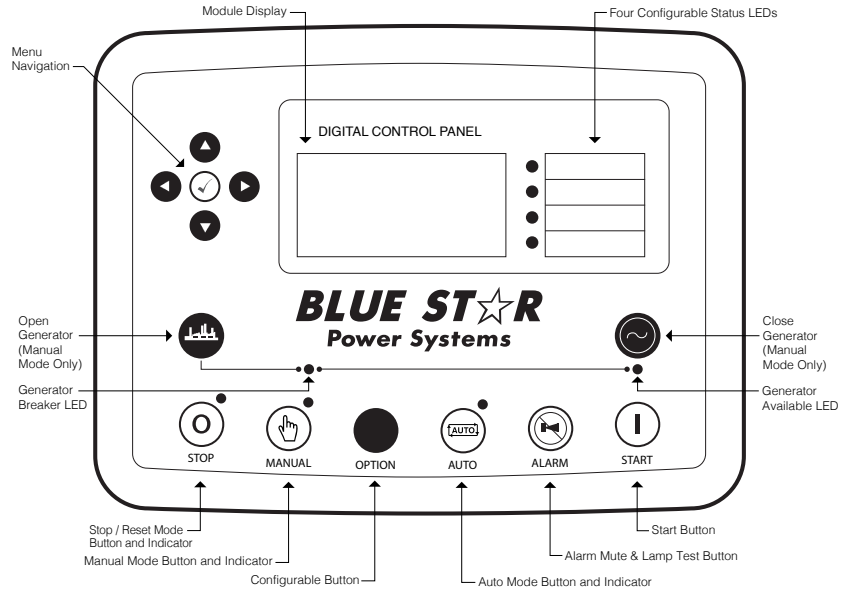
All calculations based on natural gas fuel.

Deration Factors: Temperature: Derate 1.5% Per 10°F Over 77°F Air Inlet Temperature | Altitude: Derate 2.5% Per 1,000 ft Over 1,200 ft

## DCP7310 Control Panel

### Standard Features

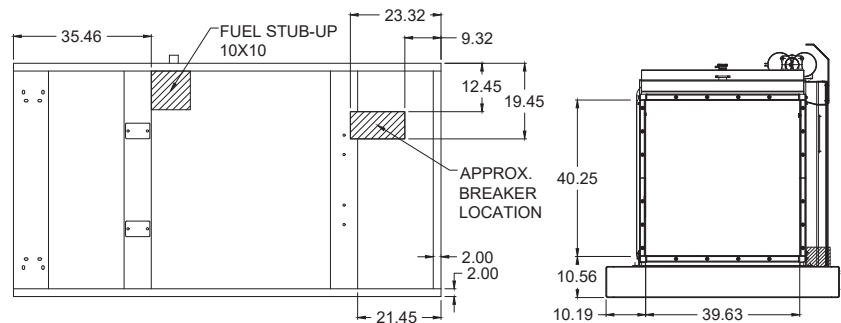
- Digital Metering
- Engine Parameters
- Generator Protection Functions
- Engine Protection
- CAN Bus (J1939) ECU Communications
- Windows-Based Software
- Multilingual Capability
- Remote Communications to DSE2548 Remote Annunciator
- 8 Programmable Contact Inputs
- 10 Contact Outputs
- RS485 Communicator Interface
- cULus Listed, CE Approved
- Event Recording
- IP 65 rating (with supplied gasket) offers increased resistance to water ingress
- NFPA 110 Level 1 Compatible



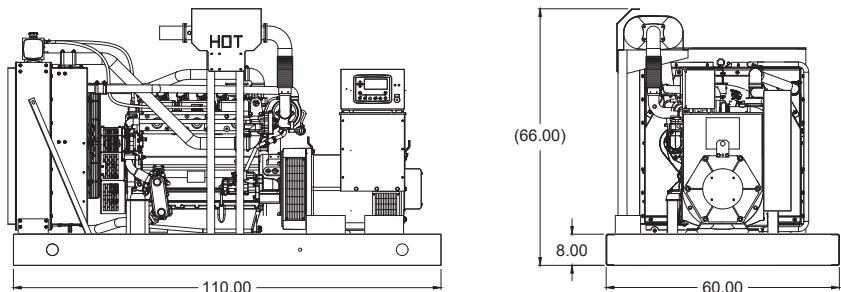
## Weights / Dimensions / Sound Data

	L x W x H	Weight lbs
<b>OPU</b>	110 x 60 x 66 in	5,225
<b>Level 1</b>	134 x 60 x 80 in	6,150
<b>Level 2</b>	134 x 60 x 80 in	6,225
<b>Level 3</b>	174 x 60 x 80 in	6,500

Please allow 6-12 inches for height of exhaust stack.

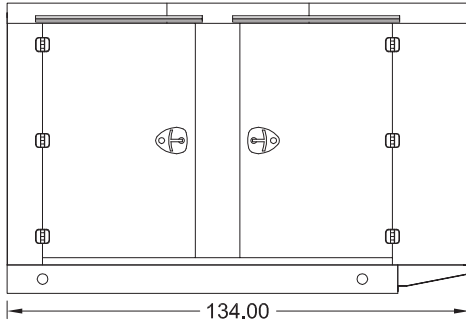


	No Load	Full Load
<b>OPU</b>	80 dBA	82 dBA
<b>Level 1</b>	77 dBA	79 dBA
<b>Level 2</b>	75 dBA	76 dBA
<b>Level 3</b>	68 dBA	70 dBA

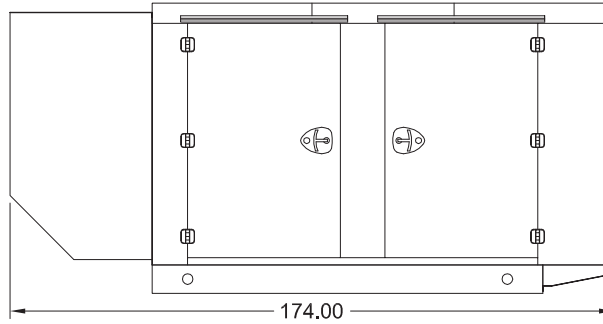


## Enclosures

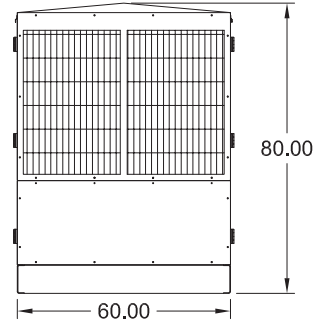
Level 1 & 2 | Side View (Weather Proof)



Level 3 | Side View (Sound Attenuated)



Level 1, 2 & 3 | Intake View



- All enclosure models are 200 MPH wind rating certified in accordance with IBC2021 and ASCE/SEI 7-16 standards.
- Level 2 & 3 enclosures include sound attenuation foam
- Level 3 enclosure includes frontal sound & exhaust hood.
- Enclosure height does not include exhaust stack.

### Notes

- All specification sheet dimensions are represented in inches.
- All drawings based on standard 480 volt standby generator. Lengths may vary with other voltages. All drawings and dimensions subject to change without notice.
- All enclosures are based on the standard unit configuration. Any requested deviation can change dimensions.
- Sound data is measured at 23 feet (7 meters) in accordance with ISO 8528-10.
- All materials and specifications subject to change without notice.

### Blue Star Power Systems

2250 Carlson Drive  
North Mankato, Minnesota 56003

Phone + 1 507 345 1776

[bluestarps.com](http://bluestarps.com)

[quote.bluestarps.com](mailto:quote.bluestarps.com)

[sales@bluestarps.com](mailto:sales@bluestarps.com)

**/// A DEUTZ COMPANY ///**