

# BLUE STAR Power Systems

Gaseous Product Line

208-600 Volt

NG425-01

60 Hz / 1800 RPM

425 kWe

Standby

## Ratings

	208V	240V	480V	600V
<b>Phase</b>	3	3	3	3
<b>PF</b>	0.8	0.8	0.8	0.8
<b>Hz</b>	60	60	60	60
<b>Generator Model</b>	HCI534D	HCI534D	S4L1D-G41	HCI534C
<b>Connection</b>	12 LEAD WYE	12 LEAD DELTA	12 LEAD WYE	4 LEAD WYE
<b>kWe Nat (LP)</b>	425 (300)	425 (300)	425 (300)	425 (300)
<b>AMPS Nat (LP)</b>	1476 (1042)	1280 (903)	640 (452)	512 (361)
<b>Temp Rise</b>	125°C/40°C	125°C/40°C	125°C/40°C	125°C/40°C

## Standard Equipment

### Engine

- Radiator Cooled Unit Mounted (50°C)
- Radiator Duct Flange (OPU Only)
- Blower Fan & Fan Drive
- Starter & Alternator
- Oil Pump & Filter
- Oil Drain Extension w/Valve
- Governor - Electronic Isochronous
- 24V Battery System & Cables
- Air Cleaner (Dry Single Stage)
- Catalyst / Silencer Mounted
- Flexible Fuel Connector
- EPA Certified

### Generator

- Brushless Single Bearing
- Automatic Voltage Regulator
- ± 0.50% Voltage Regulation
- 4 Pole, Rotating Field
- 125°C Standby Temperature Rise
- 100% of Rated Load - One Step
- 5% Maximum Harmonic Content
- NEMA MG 1, IEEE and ANSI Standards Compliance for Temperature Rise

### Additional

- Single Source Supplier
- UL 2200 & cUL Listed
- CSA Certified
- Seismic Certified to IBC 2021
- NFPA 110 / CSA C282 Compliant
- Microprocessor Based Digital Control Panel Mounted in NEMA 12 Enclosure
- Base - Structural Steel
- Main Line Circuit Breaker Mounted & Wired
- Battery Charger 24V 5 Amp
- Jacket Water Heater -20°F 5000W 240V w/Isolation Valves
- Vibration Isolation Mounts (Pad Type)
- 2 Year / 2000 Hour Standby Warranty
- Standard Colors - White / Gray

## Application Data

### Engine

Manufacturer:	Power Solutions International	Displacement - Cu. In. (lit):	1,338 (21.9)
Model:	21.9L	Bore - in. (cm) x Stroke - in. (cm):	5.04 (12.8) x 5.59 (14.2)
Type:	4-Cycle	Compression Ratio:	10.5 : 1
Aspiration:	Turbo Charged, CAC	Rated RPM:	1800
Cylinder Arrangement:	12 Cylinder Vee	Max HP Stby (kWm):	684 (510)

### Exhaust System

### Standby

Gas Temp. (Stack): °F (°C)	1,136 (613)
Gas Volume at Stack Temp: CFM (m³/min)	2,529 (71.6)
Maximum Allowable Exhaust Restriction (Post Catalyst): in. H <sub>2</sub> O (kPa)	7.40 (1.85)

### Cooling System

Ambient Capacity of Radiator: °F (°C)	122 (50.0)
Maximum Allowable Static Pressure on Rad. Exhaust: in. H <sub>2</sub> O (kPa)	0.50 (0.12)
Water Pump Flow Rate: GPM (lit/min)	151 (572)
Heat Rejection to Coolant: BTUM (kW)	29,345 (514)
Heat Rejection to CAC: BTUM (kW)	3,686 (64.5)
Heat Radiated to Ambient: BTUM (kW)	8,744 (153)

### Air Requirements

Aspirating: CFM (m³/min)	829 (23.5)
Air Flow Required for Rad. Cooled Unit: CFM (m³/min)	39,995 (1,132)
Air Flow Required for Heat Exchanger/Rem. Rad. CFM (m³/min)	Consult Factory For Remote Cooled Applications

### Standby

### Fuel Consumption

### Natural Gas

### LP

At 100% of Power Rating: ft <sup>3</sup> /hr (m <sup>3</sup> /hr)	4,794 (136)	1,401 (39.6)
At 75% of Power Rating: ft <sup>3</sup> /hr (m <sup>3</sup> /hr)	3,762 (106)	1,119 (31.7)
At 50% of Power Rating: ft <sup>3</sup> /hr (m <sup>3</sup> /hr)	2,839 (80.3)	860 (24.3)
Fuel Inlet Size: NPT		3.00"
Fuel Pressure Required: in. H <sub>2</sub> O (kPa)		11.0 (2.75)

### Fluids Capacity

Total Oil System: gal (lit)	10.6 (40.0)
Engine Jacket Water Capacity: gal (lit)	12.0 (45.4)
System Coolant Capacity: gal (lit)	51.0 (193)

All calculations based on natural gas fuel.

Deration Factors: Temperature: Derate 1.5% Per 10°F Over 77°F Air Inlet Temperature | Altitude: Derate 2.5% Per 1,000 ft Over 1,200 ft

## DCP7310 Control Panel

### Standard Features

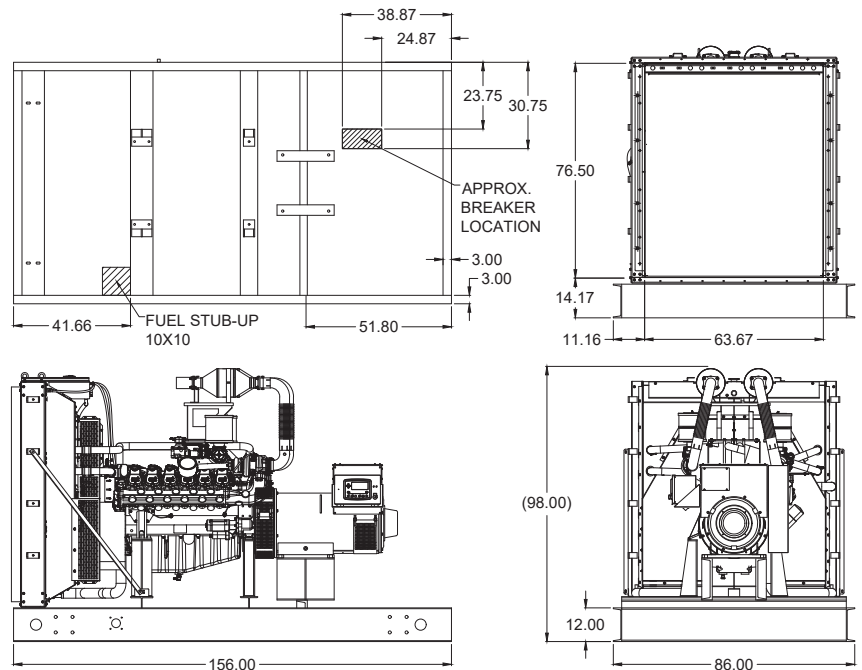
- Digital Metering
- Engine Parameters
- Generator Protection Functions
- Engine Protection
- CAN Bus (J1939) ECU Communications
- Windows-Based Software
- Multilingual Capability
- Remote Communications to DSE2548 Remote Annunciator
- 8 Programmable Contact Inputs
- 10 Contact Outputs
- RS485 Communicator Interface
- cULus Listed, CE Approved
- Event Recording
- IP 65 rating (with supplied gasket) offers increased resistance to water ingress
- NFPA 110 Level 1 Compatible



## Weights / Dimensions / Sound Data

	L x W x H	Weight lbs
<b>OPU</b>	156 x 86 x 98 in	10,925
<b>Level 1</b>	156 x 86 x 110 in	12,575
<b>Level 2</b>	156 x 86 x 110 in	12,700
<b>Level 3</b>	228 x 86 x 110 in	13,400

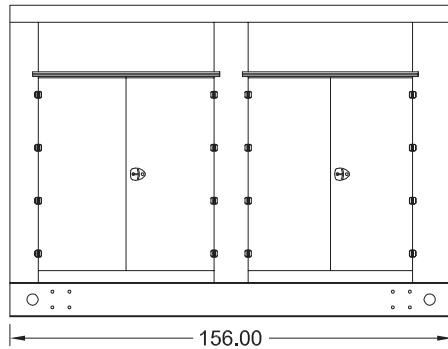
Please allow 6-12 inches for height of exhaust stack.



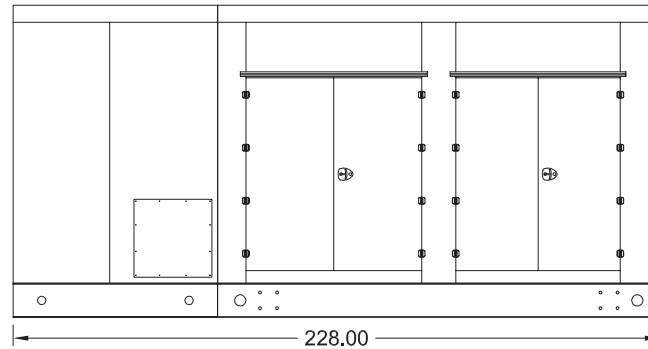
	No Load	Full Load
<b>OPU</b>	84 dBA	87 dBA
<b>Level 1</b>	82 dBA	85 dBA
<b>Level 2</b>	77 dBA	80 dBA
<b>Level 3</b>	72 dBA	75 dBA

## Enclosures

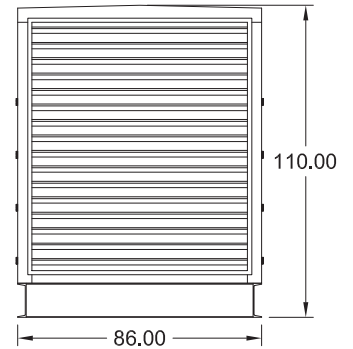
Level 1 & 2 | Side View (Weather Proof)



Level 3 | Side View (Sound Attenuated)



Level 1, 2 & 3 | Intake View



- All enclosure models are 200 MPH wind rating certified in accordance with IBC2021 and ASCE/SEI 7-16 standards.
- Level 2 & 3 enclosures include sound attenuation foam
- Level 3 enclosure includes frontal sound & exhaust hood.
- Enclosure height does not include exhaust stack.

### Notes

- All specification sheet dimensions are represented in inches.
- All drawings based on standard 480 volt standby generator. Lengths may vary with other voltages. All drawings and dimensions subject to change without notice.
- All enclosures are based on the standard unit configuration. Any requested deviation can change dimensions.
- Sound data is measured at 23 feet (7 meters) in accordance with ISO 8528-10.
- All materials and specifications subject to change without notice.

### Blue Star Power Systems

2250 Carlson Drive  
North Mankato, Minnesota 56003  
Phone + 1 507 345 1776  
bluestarps.com  
quote.bluestarps.com  
sales@bluestarps.com

**/ A DEUTZ COMPANY /**